

# Standard Features:

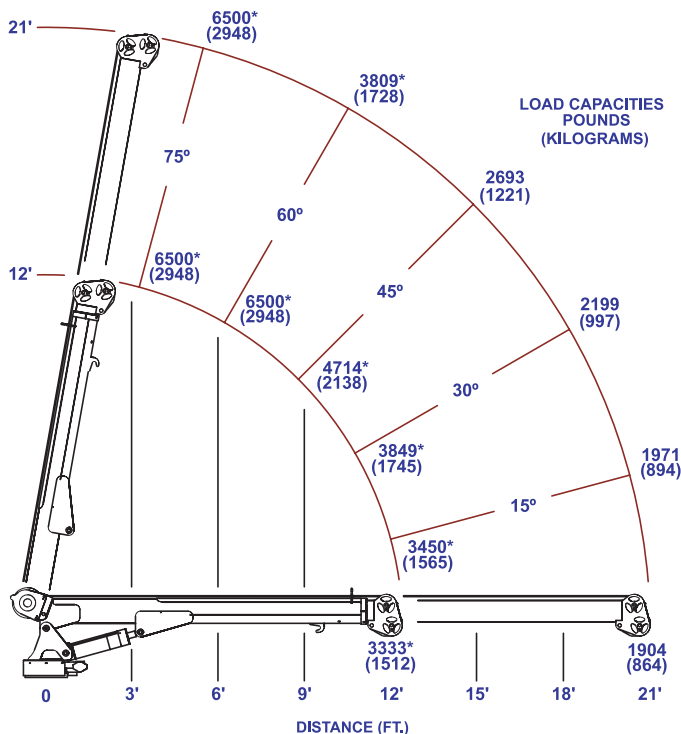
- 40,000 ft/lbs rating
- 6500 lbs lift @ 6.2 ft
- 21 ft of hydraulic reach
- Hex boom Construction
- Planetary Winch
- Worm Drive Rotation
- Crane Operation Light Bar
- Powder Coated Components

# Electric

# 6541E



## MODEL 6541E



\* MAXIMUM SINGLE LINE CAPACITY IS 3250 LBS (1474kg) IN THESE OPERATING POSITIONS

## TIGER Mode 6541E Specifications

<b>Crane Rating:</b>	40,000 ft/lbs
<b>Maximum Reach:</b>	21 ft from CL
<b>Extension:</b>	Single hyd from 12 to 21 ft
<b>Maximum Height:</b>	22.5 ft from base of crane
<b>Maximum Lift:</b>	3250 lbs single part line 6500 lbs double part line
<b>Boom Elevation:</b>	-5 to +75 degrees
<b>Cable:</b>	3/8" x 120' Galvanized
<b>Winch Type:</b>	Electric Planetary – 6541E
<b>Winch Speed:</b>	36 ft/min Electric – 6541E
<b>Rotation:</b>	400 degrees with double reduction (worm & pinion)
<b>Control:</b>	Wireless proportional with 33 ft 25' Tethered Cord Remote – 6541E
<b>Stowed Height:</b>	36"
<b>Weight:</b>	1535 lbs 6541E (crane only)
<b>Mounting Space:</b>	22" x 30"
<b>Battery Req'd:</b>	12 VDC Cartridge - 6541E 700 Cold Crank Amps – 6541E
	With 200 Minute Reserve Minimum Requirement
<b>Min GVW Req'd:</b>	14,500 lbs

\*Speeds represented are with recommended pump and at normal speed.